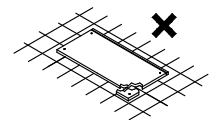
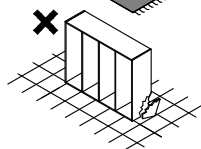
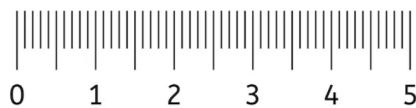
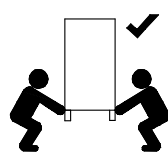
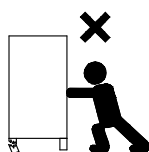
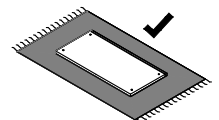
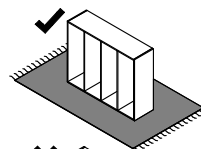
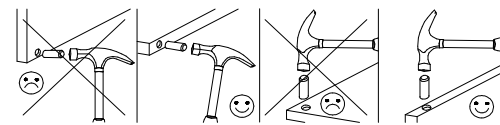
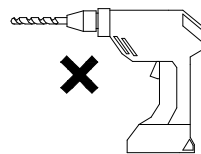
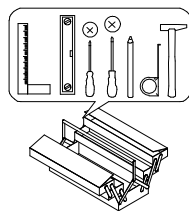
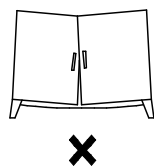
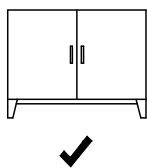
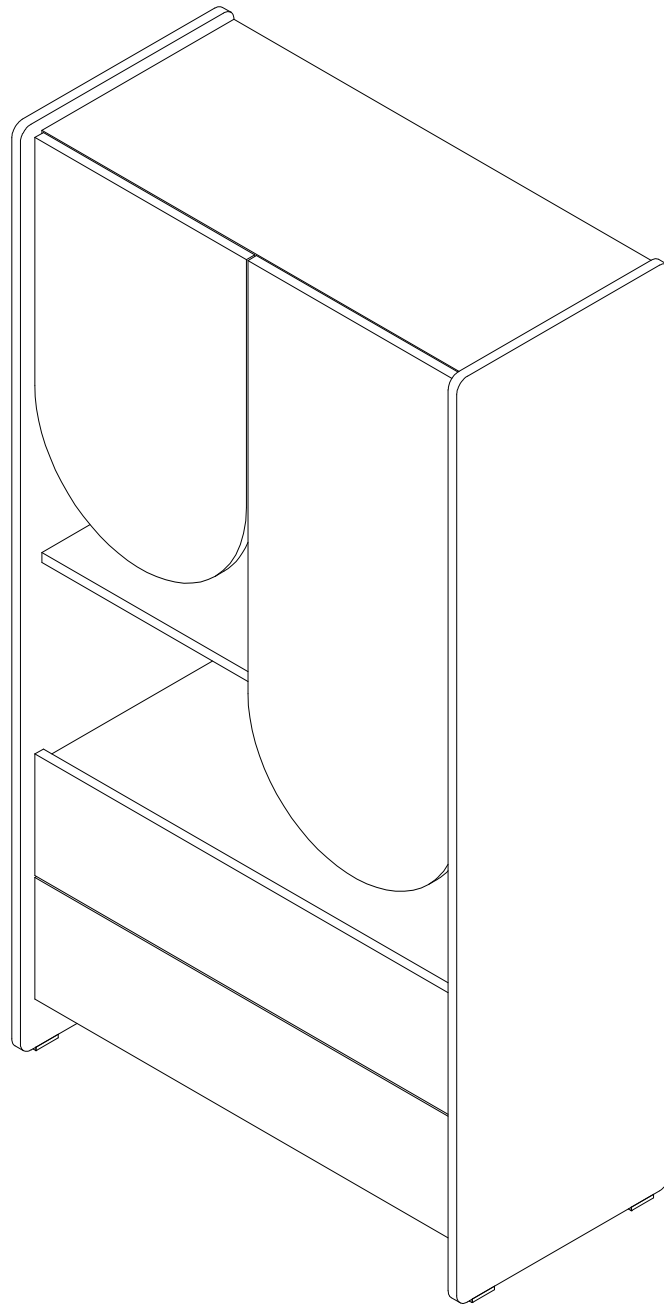
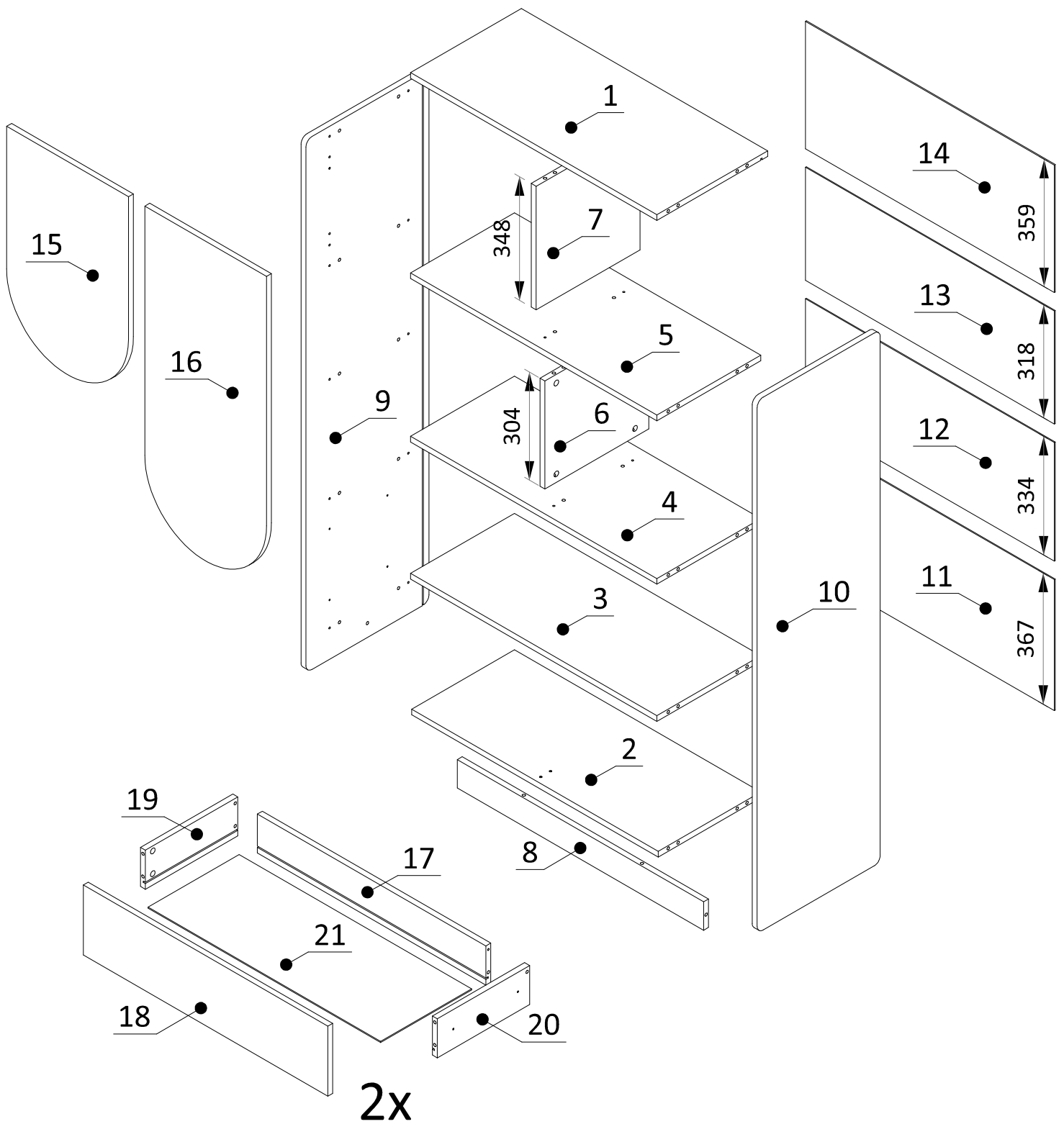



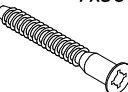

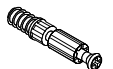
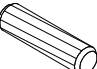
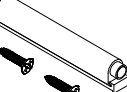
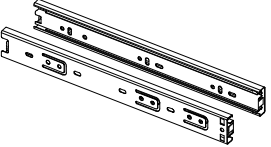
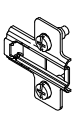
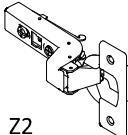
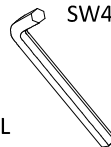

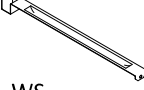
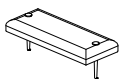
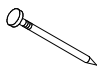

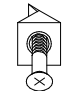



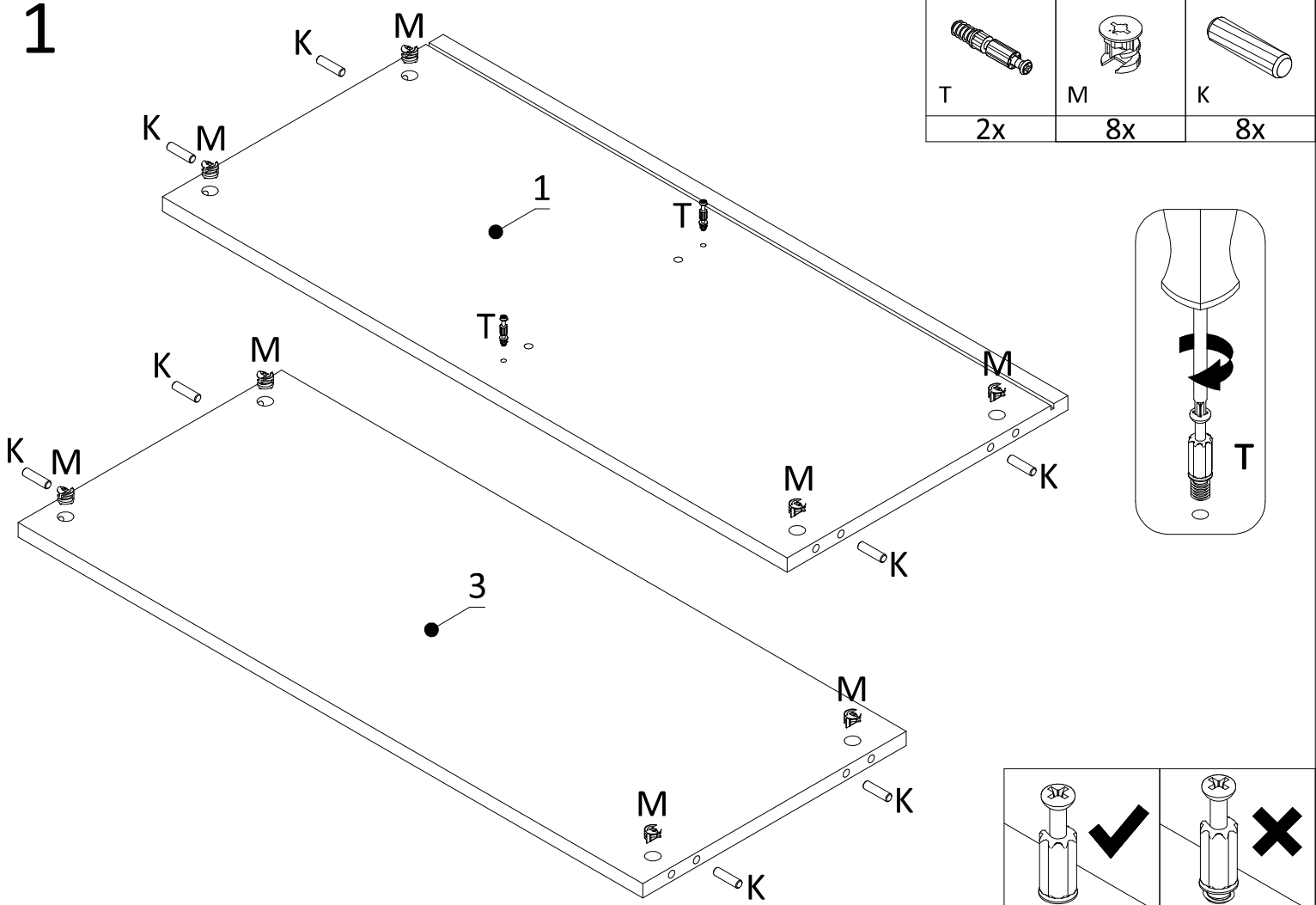
LEXI R-6



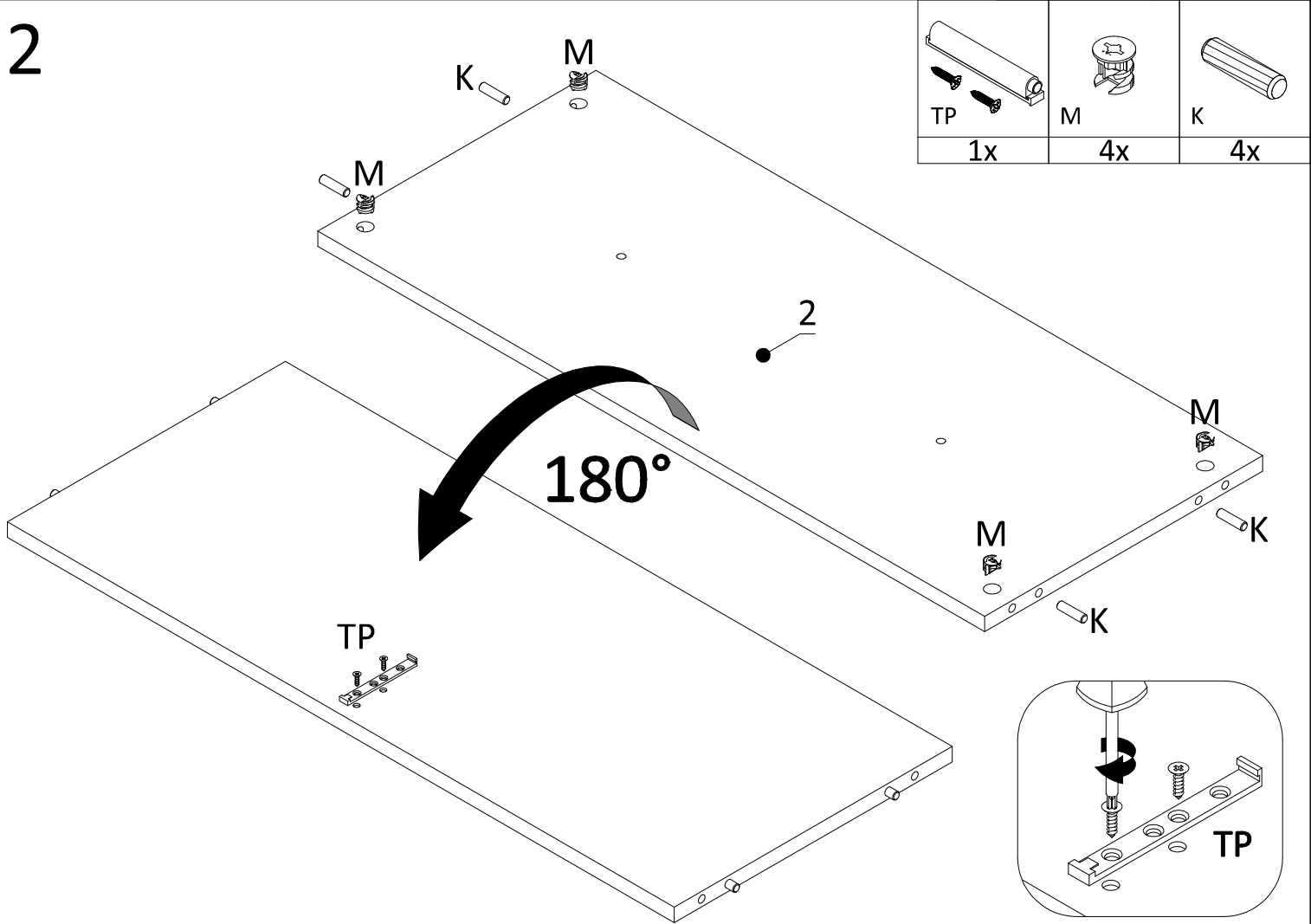


 5x13 E1	 3x16 W2	 4x16 W4	 7x50 KF	 15/12 M	 L20,3 T	 8x30 K	 TP	 2x PK-0H35-300	
16x	28x	8x	4x	36x	36x	36x	1x		
 PZ	 Z2	 SW4 KL	 ZM	 L300 WS	 SL	 2x20 G	 PM	 S	 PS
4x	4x	1x	36x	2x	5x	9x	24x	10x	1x

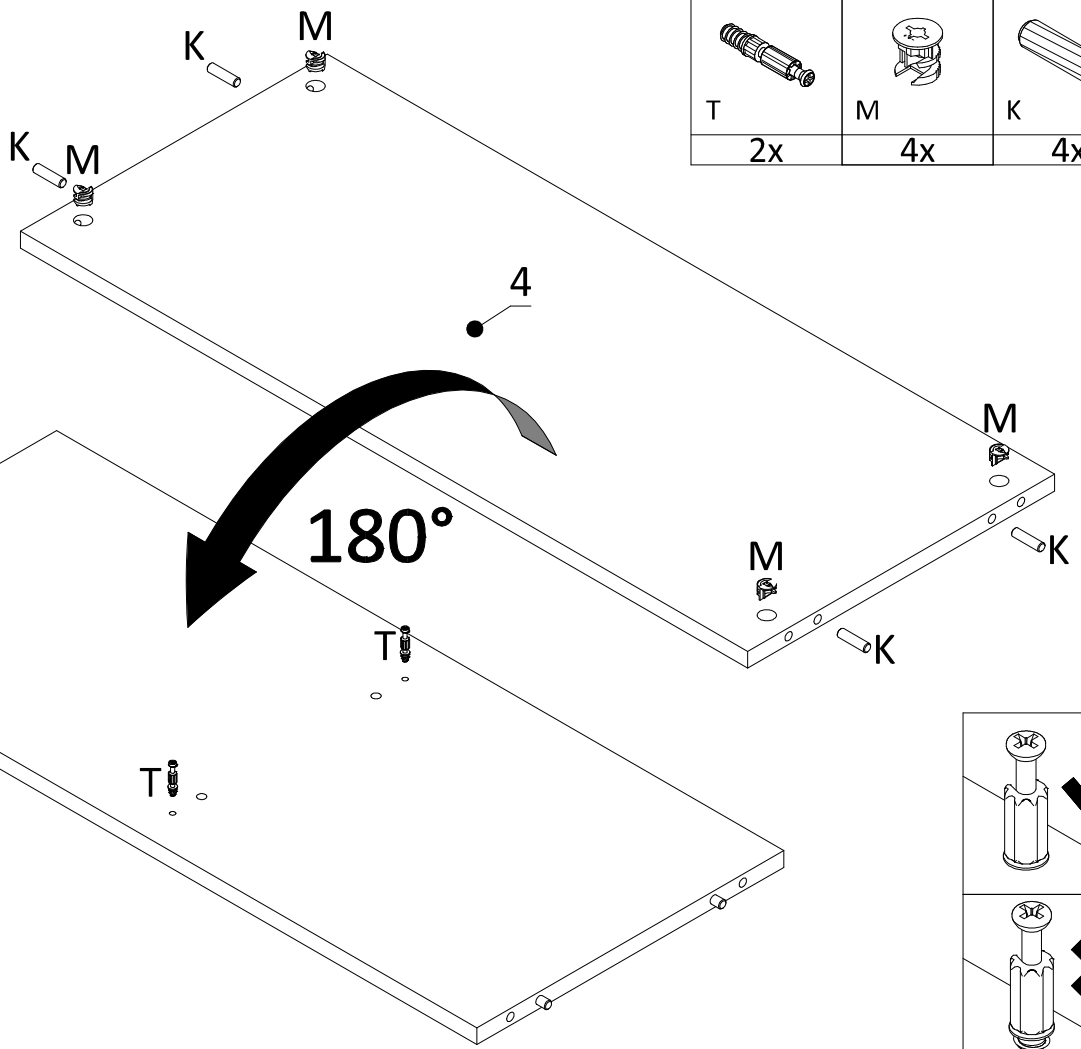
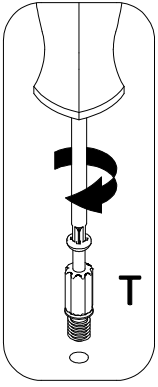
1



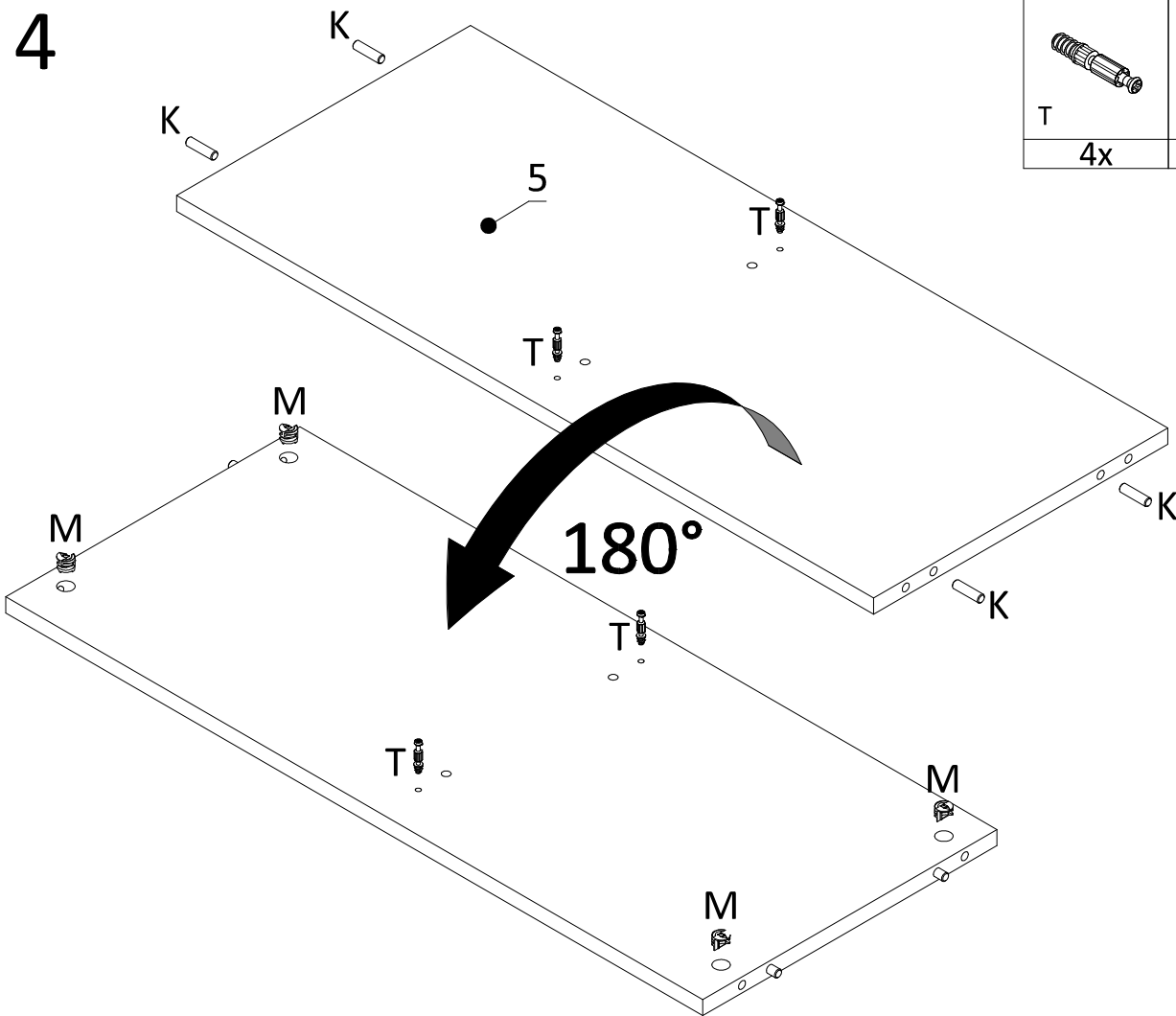
2

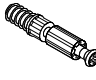

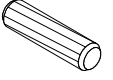


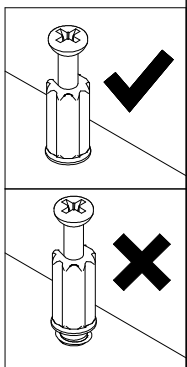
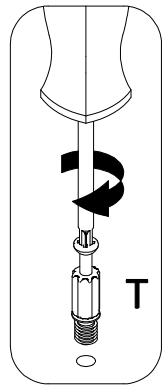
3



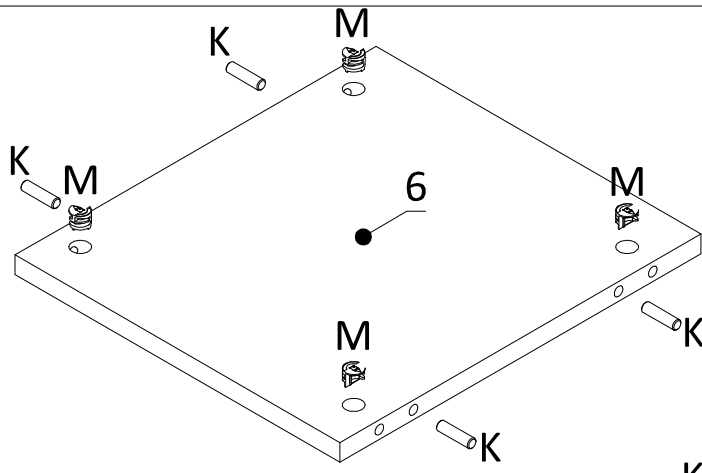
4

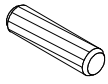



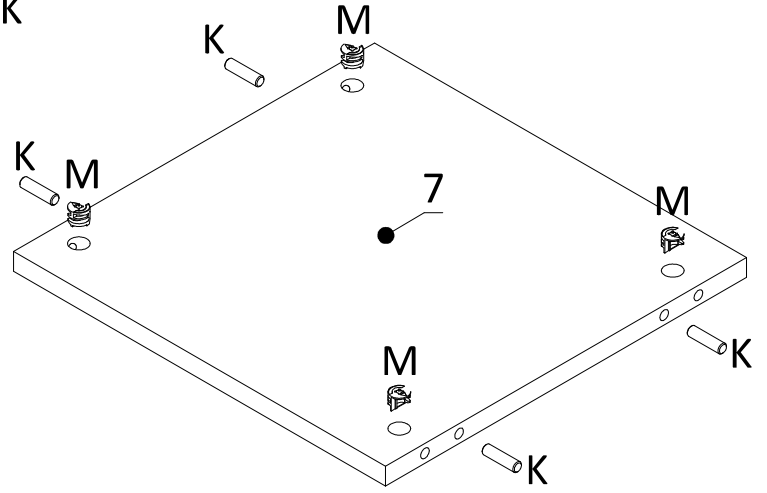
		
T	M	K
4x	4x	4x



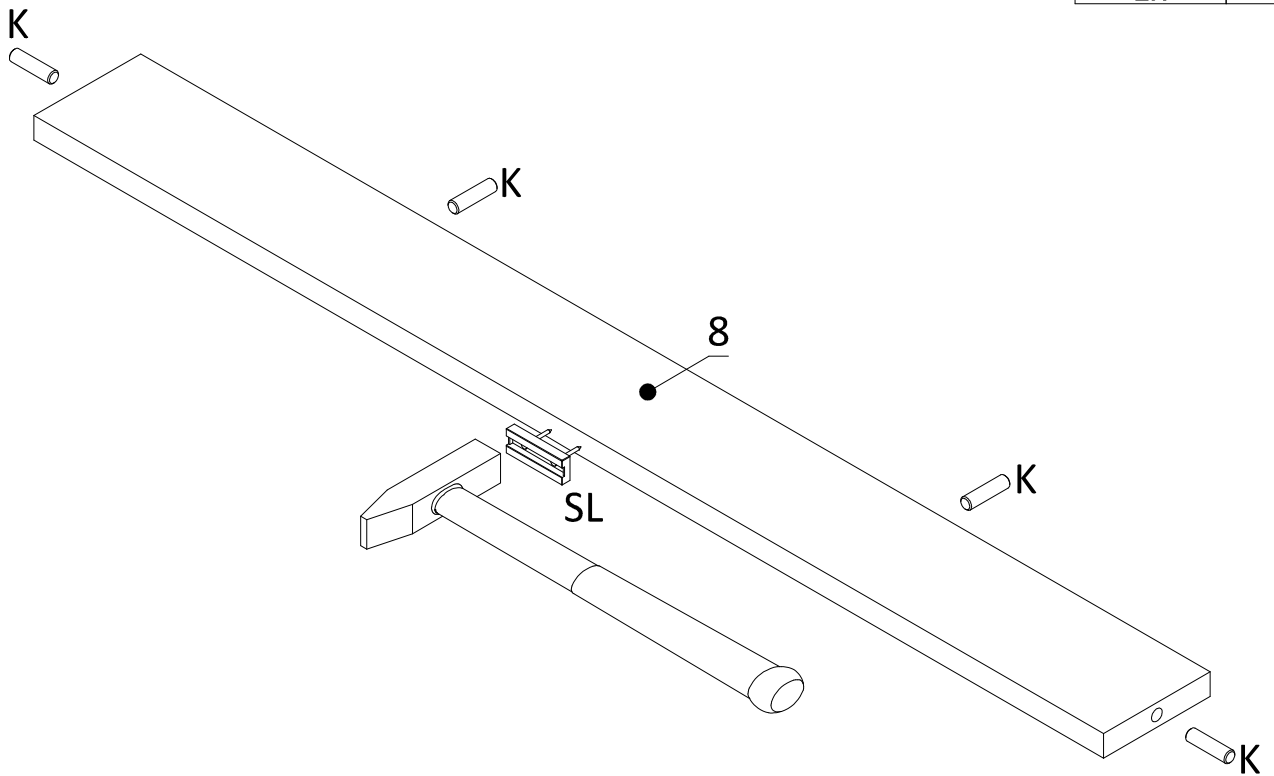
5

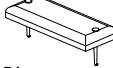
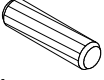


	
K	M
8x	8x

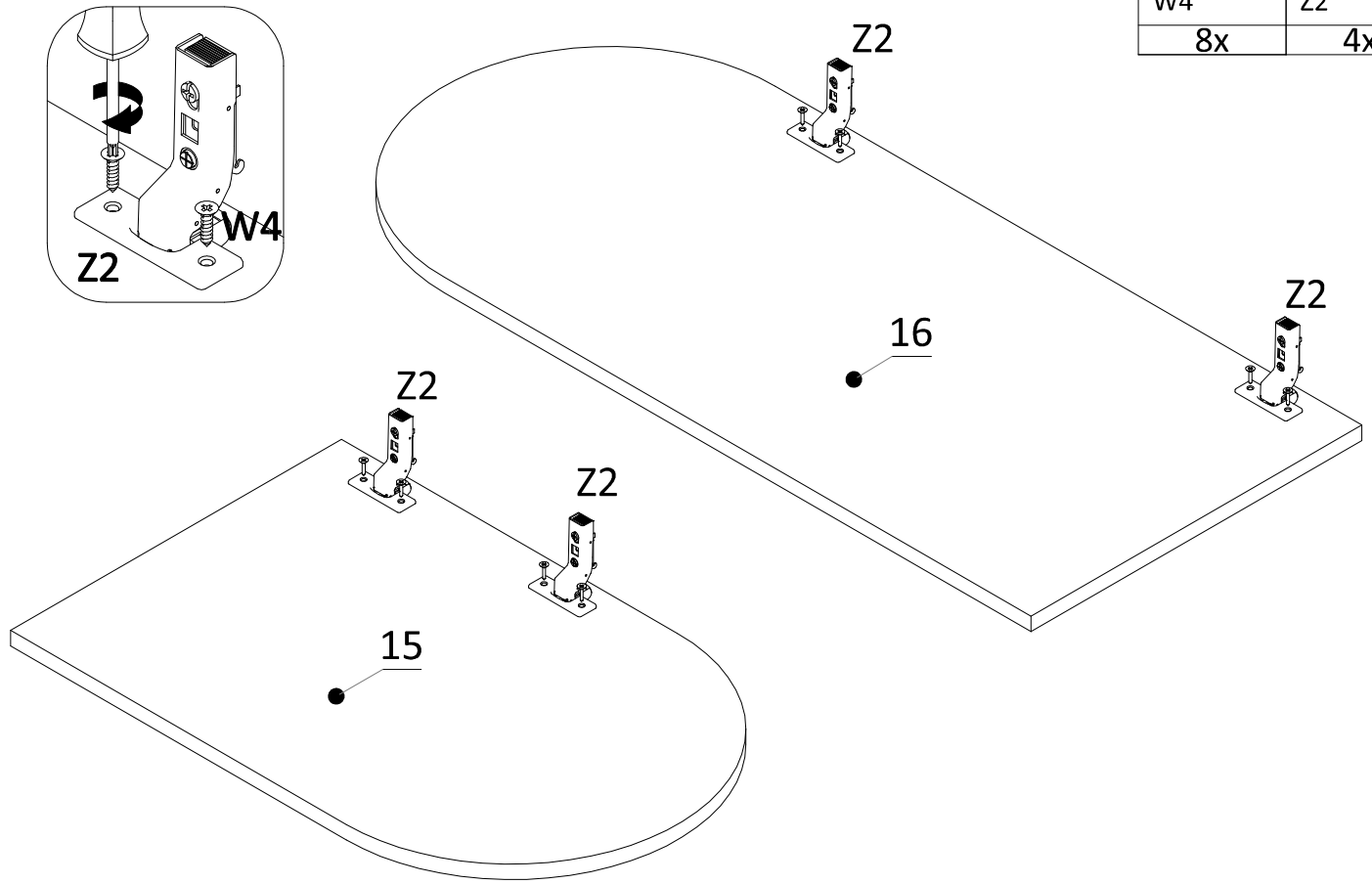


6

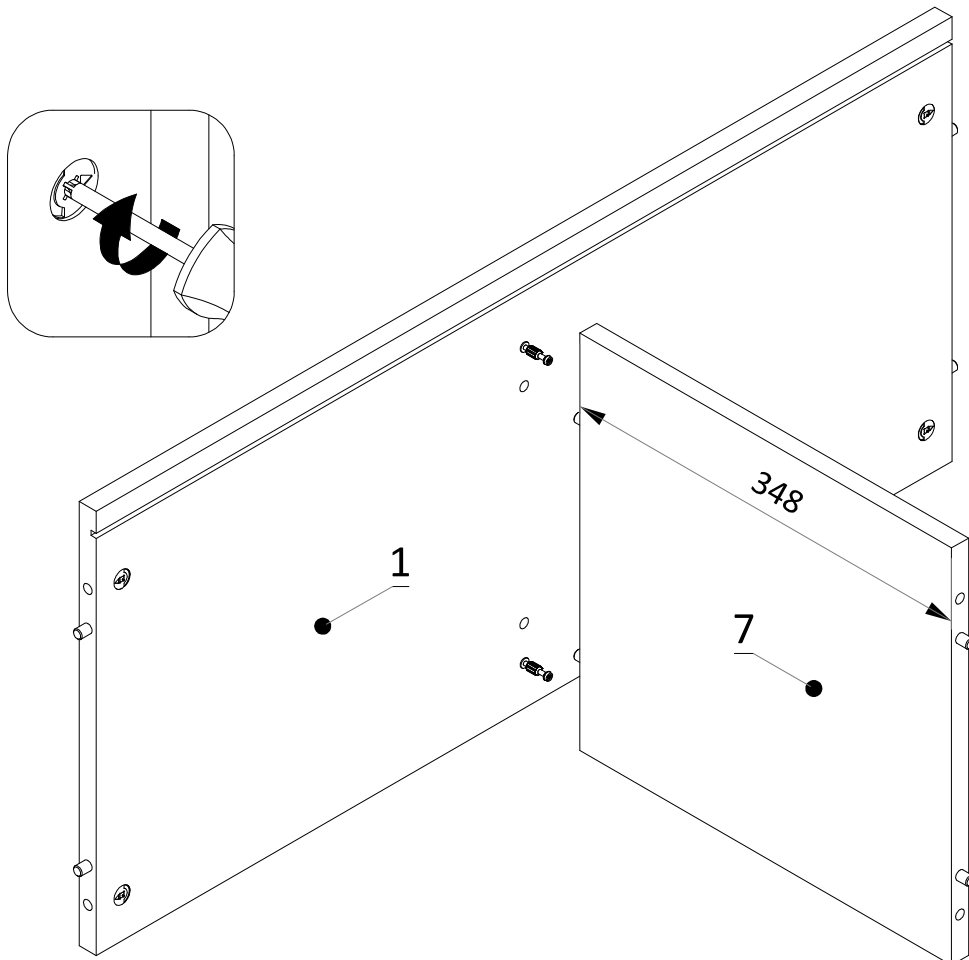


	
SL	K
1x	4x

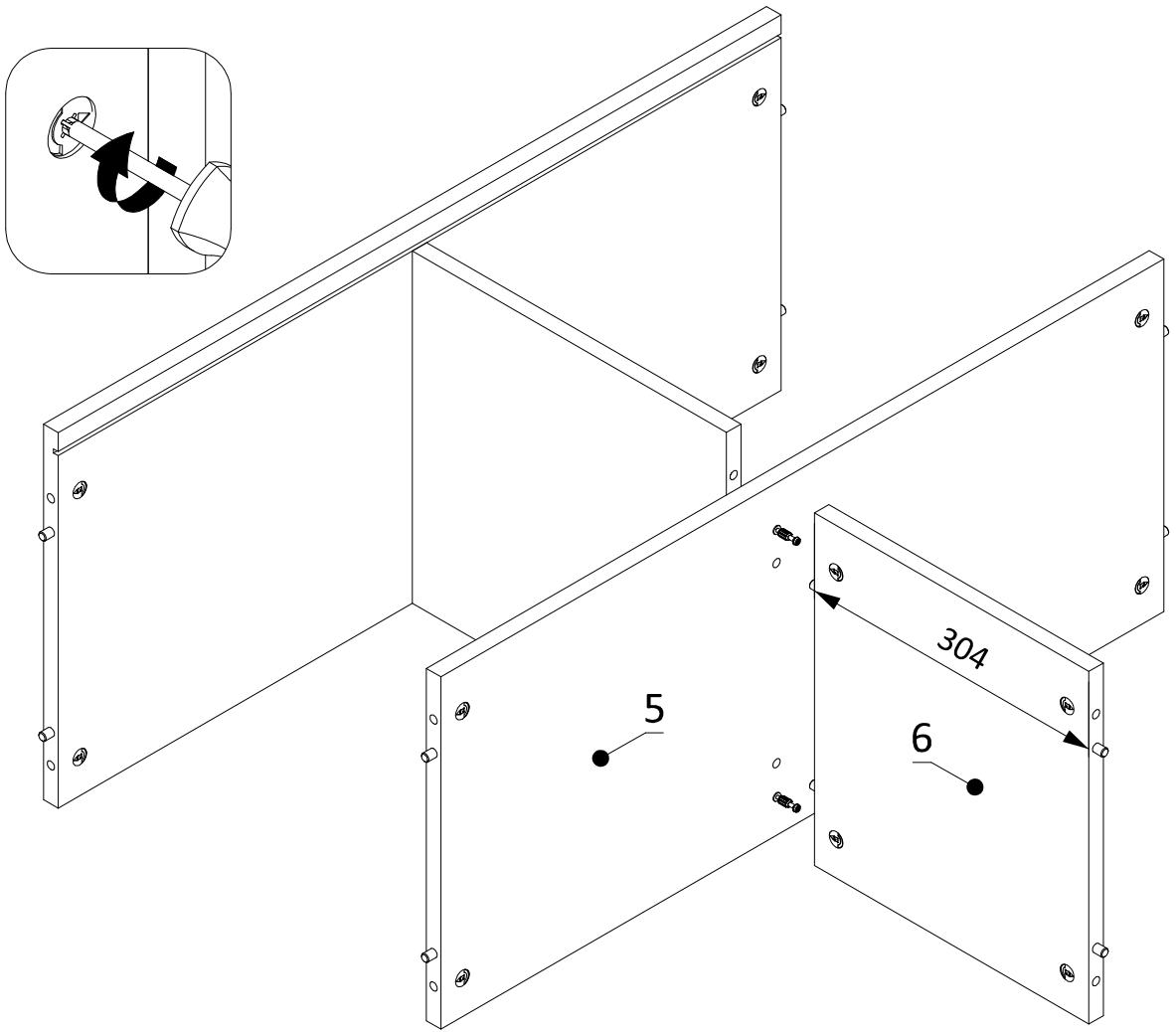
11



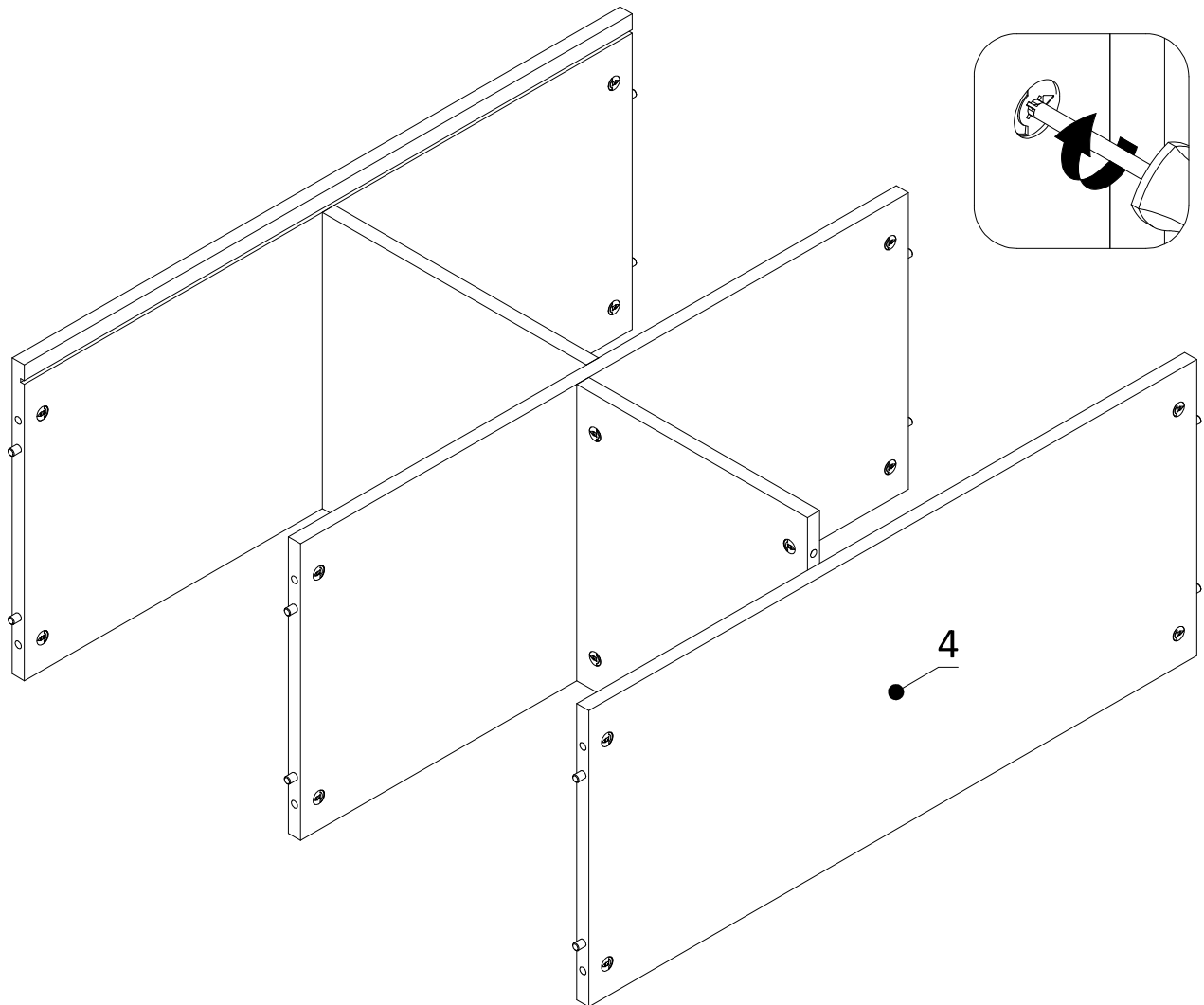
12



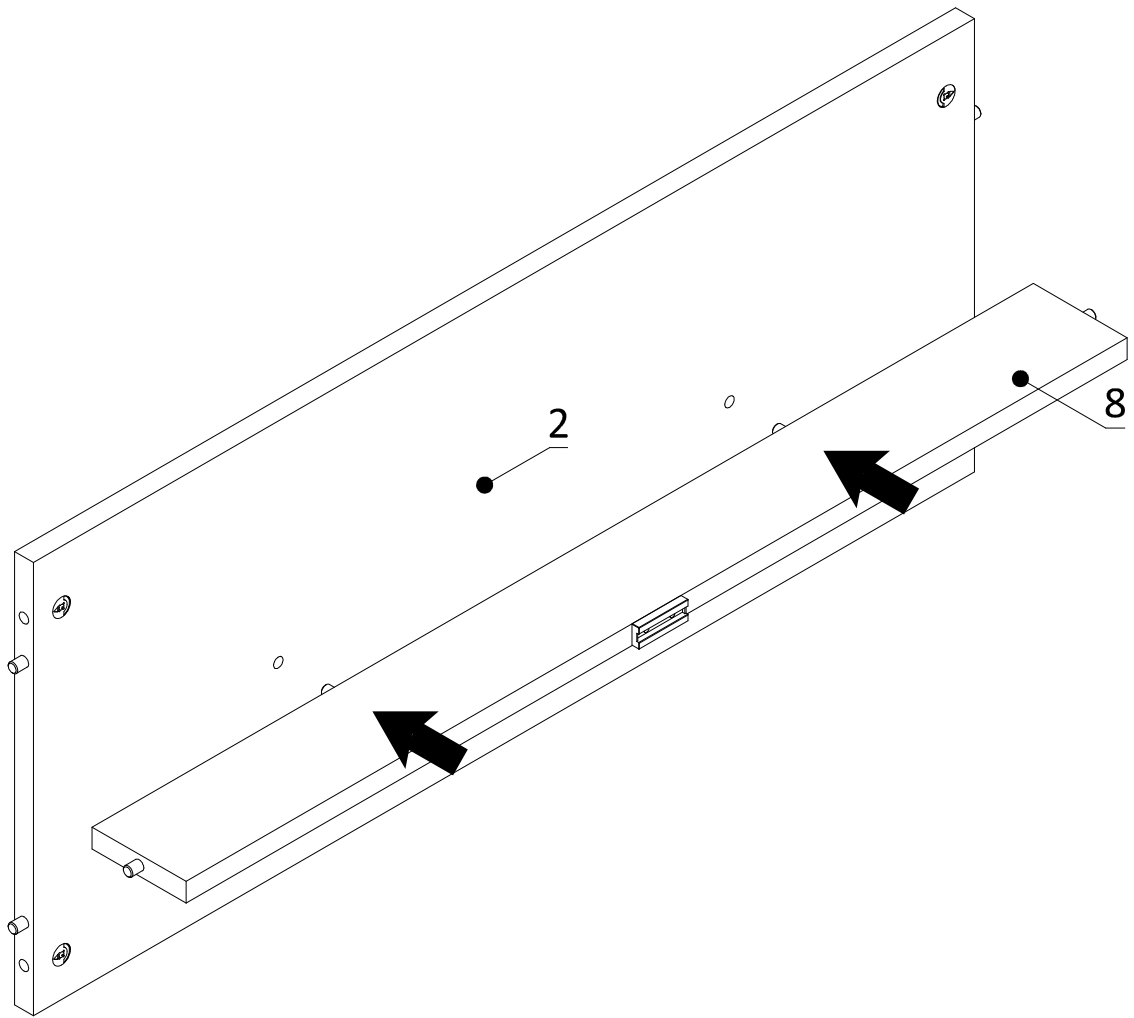
13



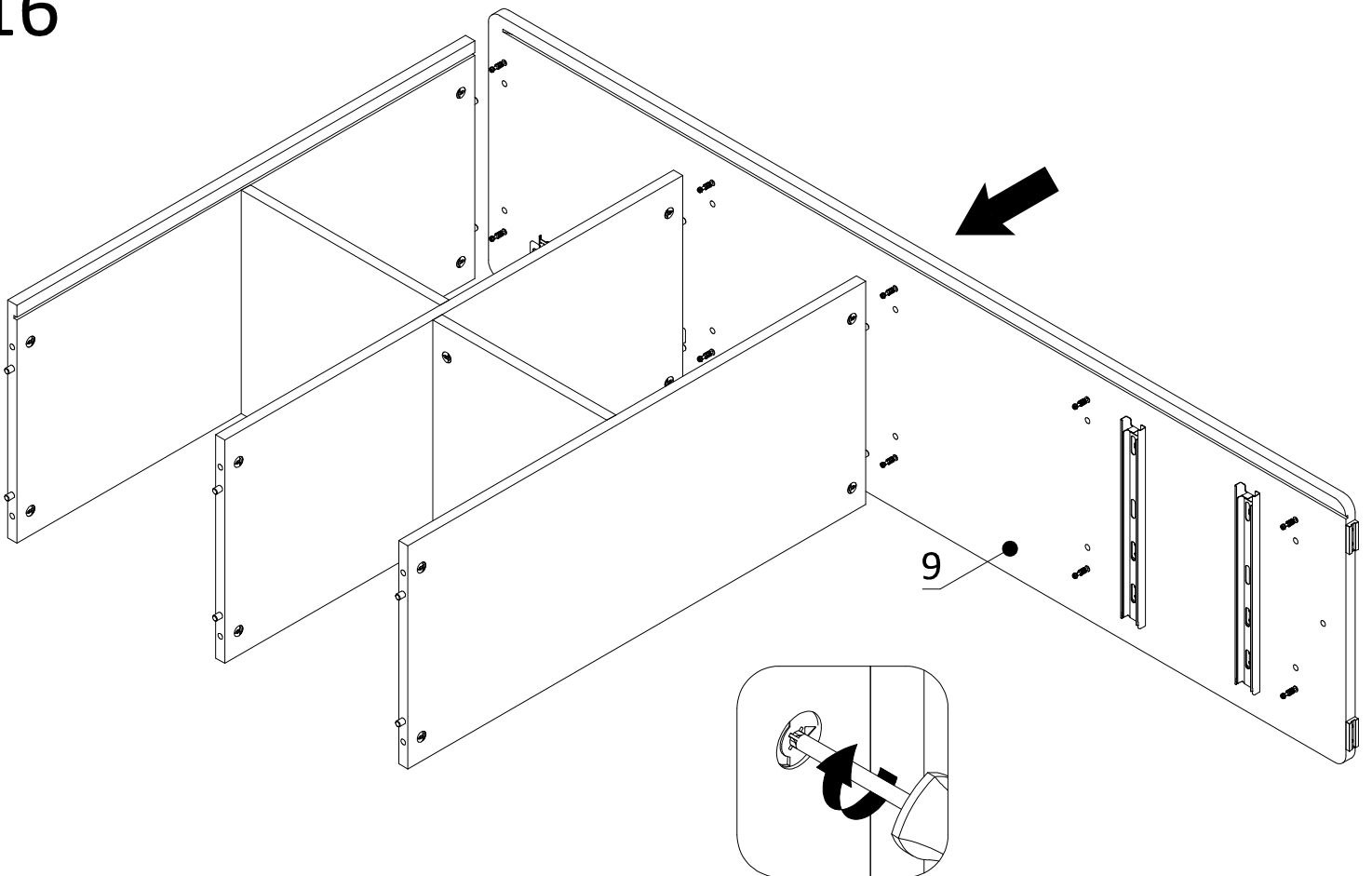
14



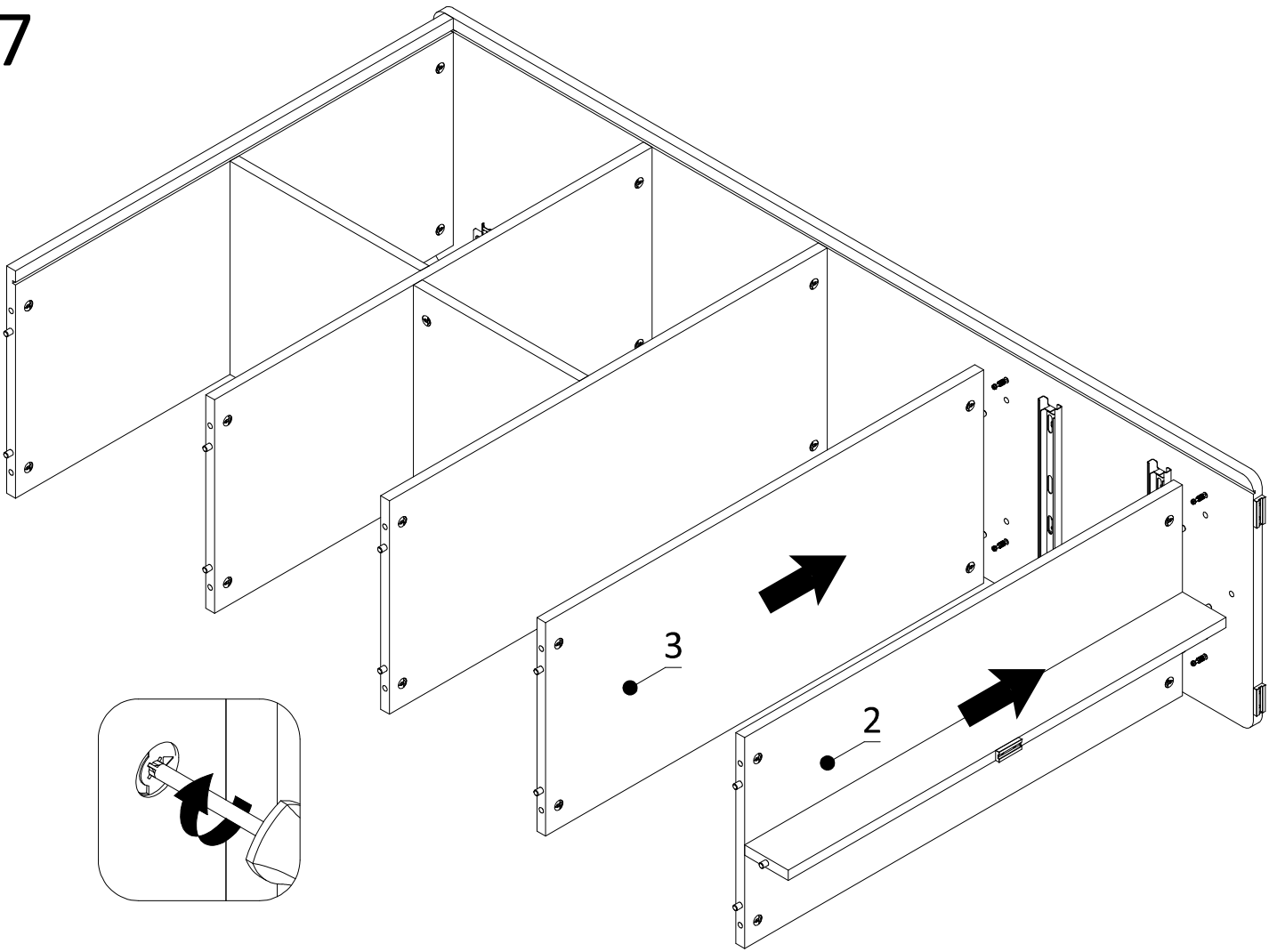
15



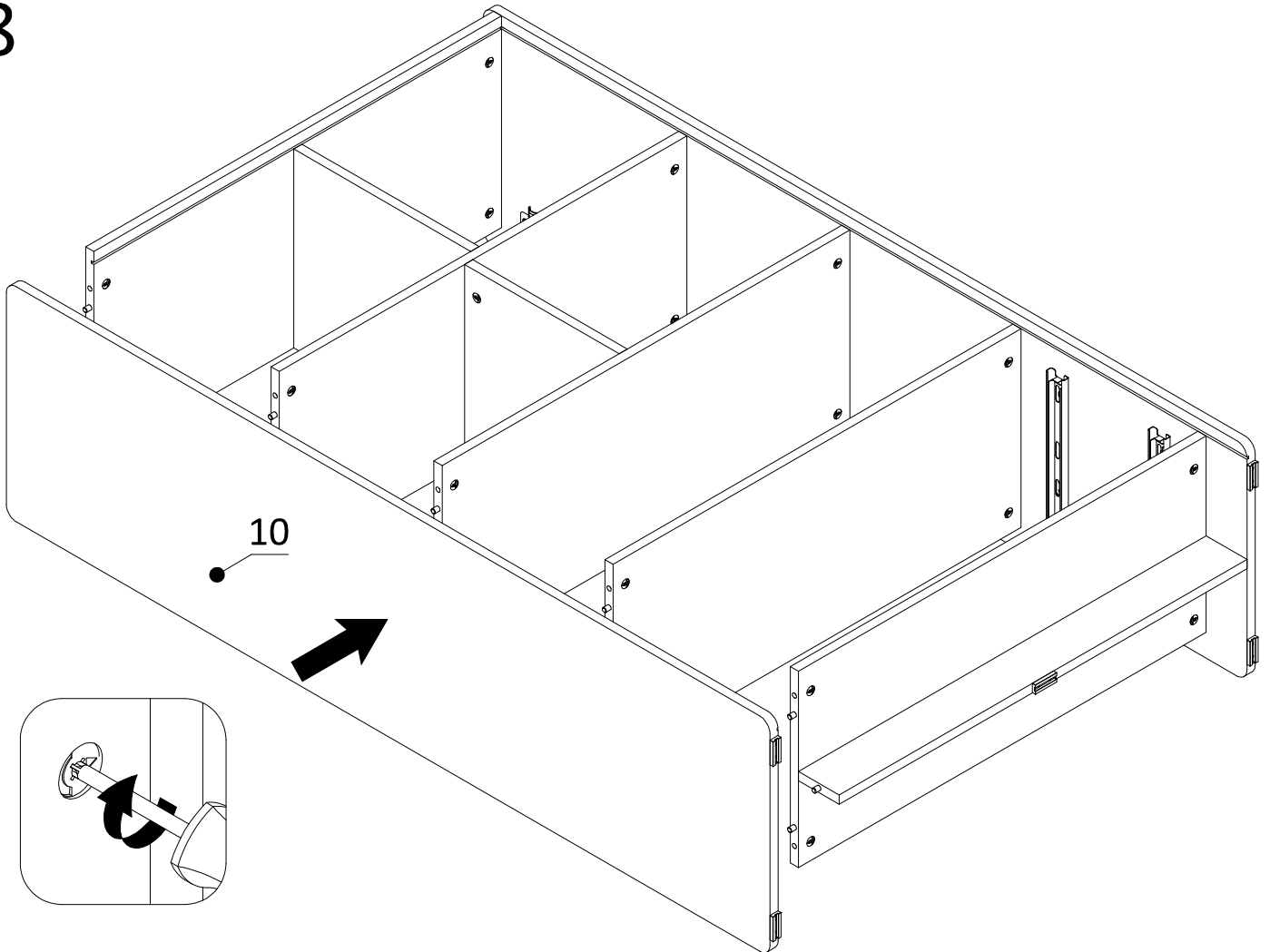
16



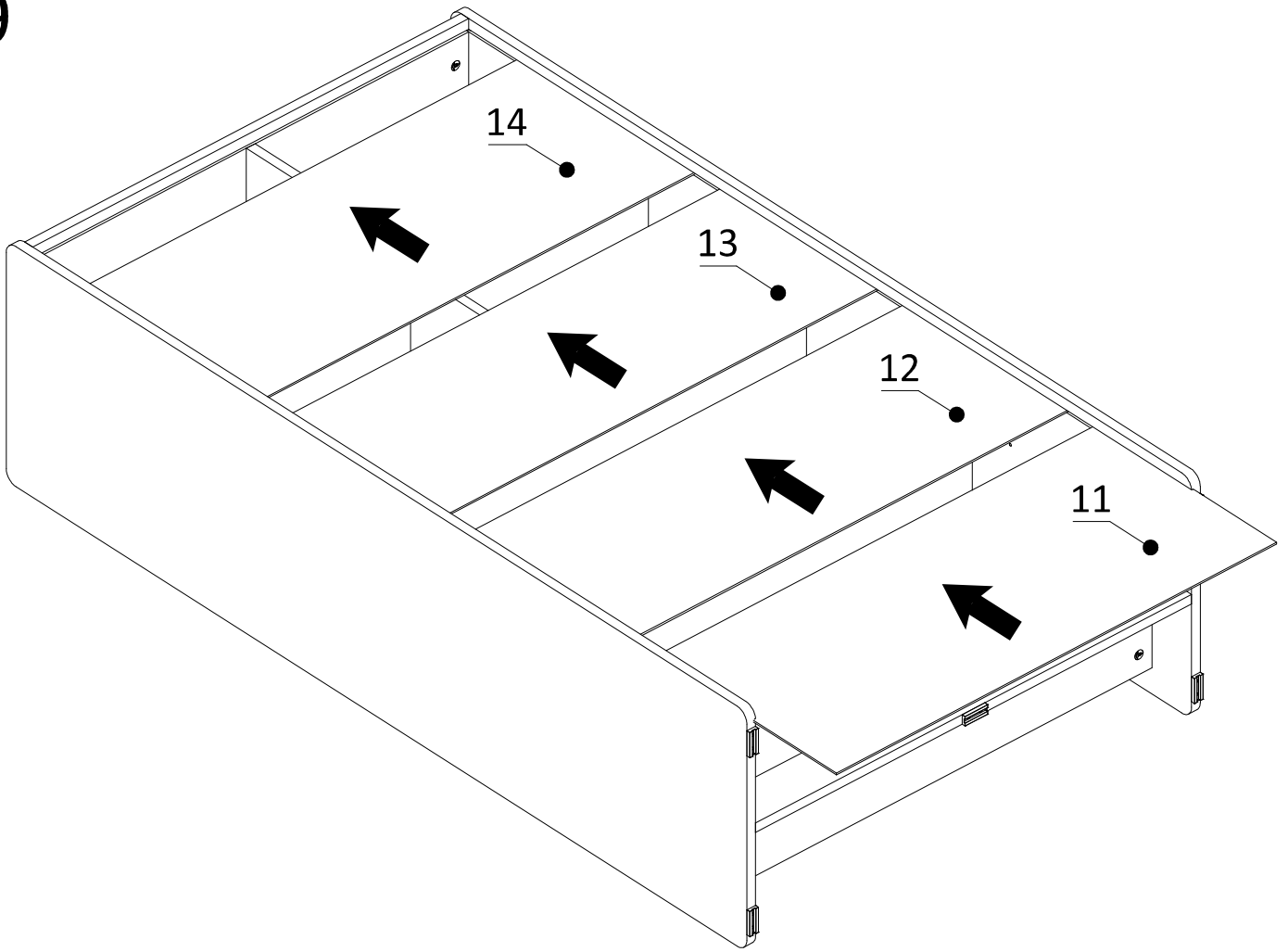
17



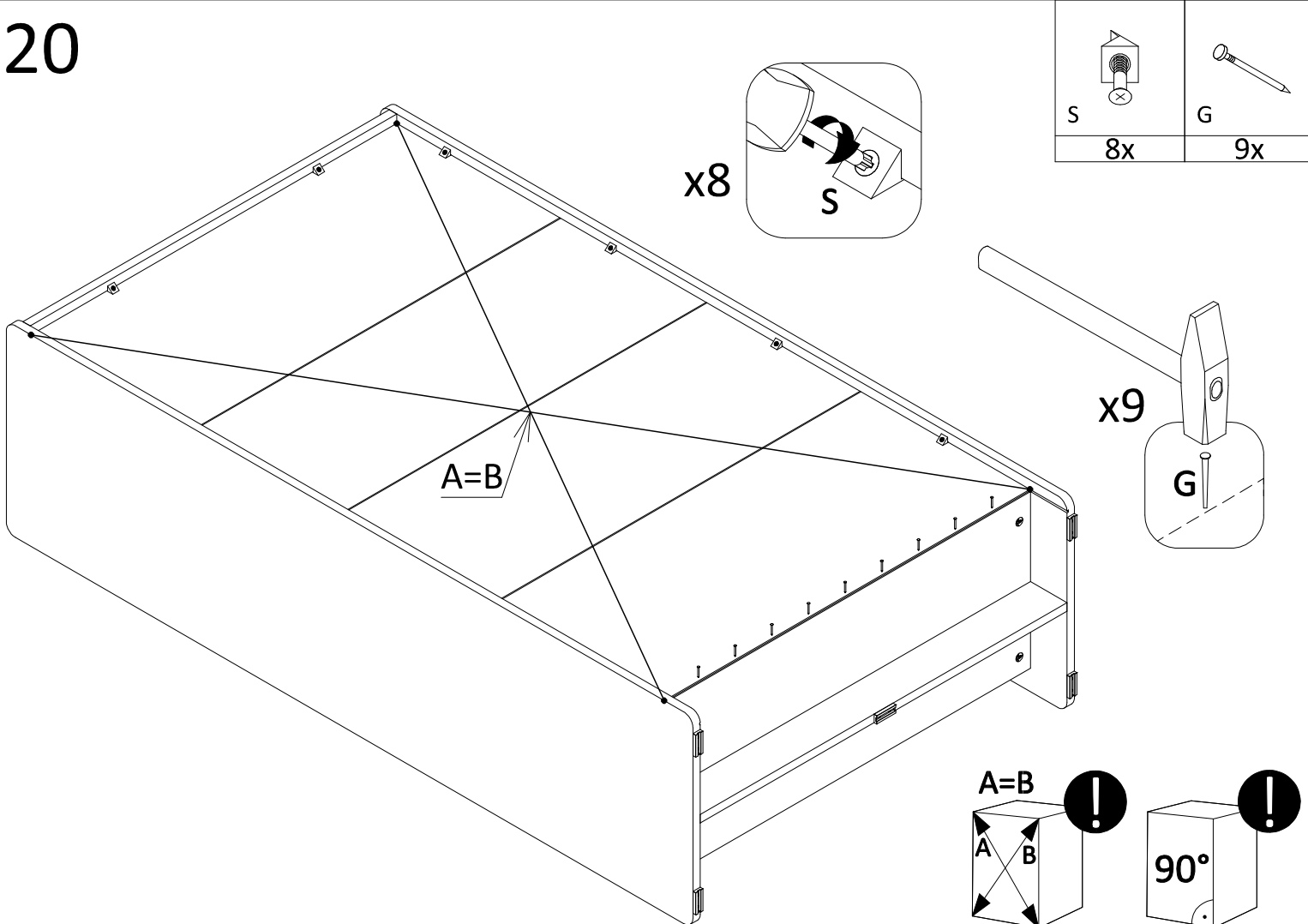
18





19

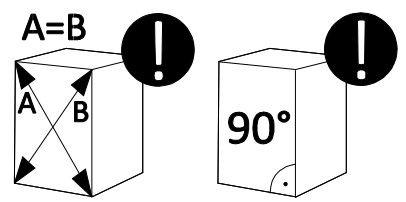
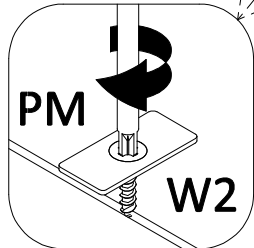
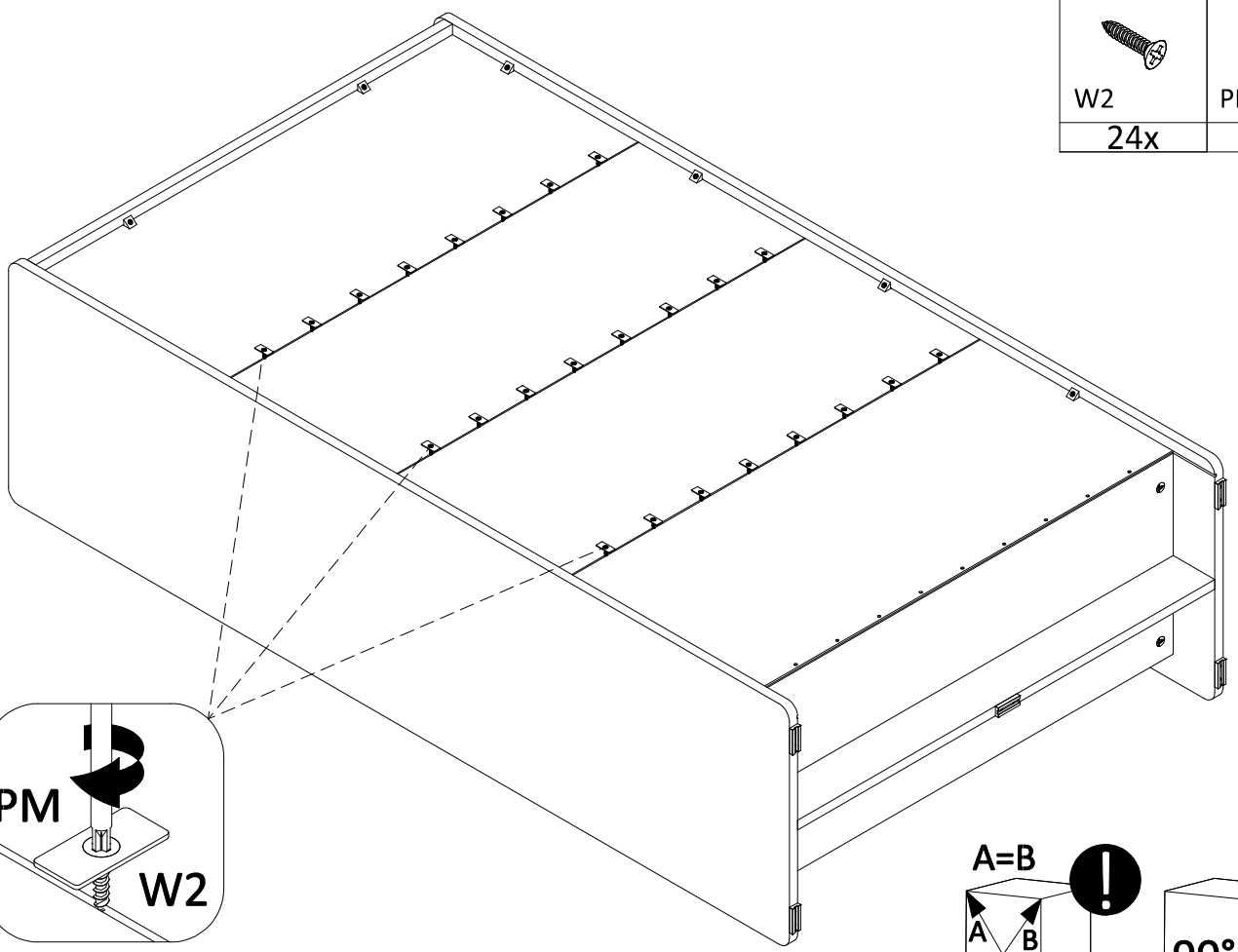


20

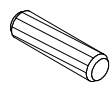



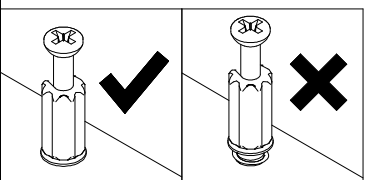
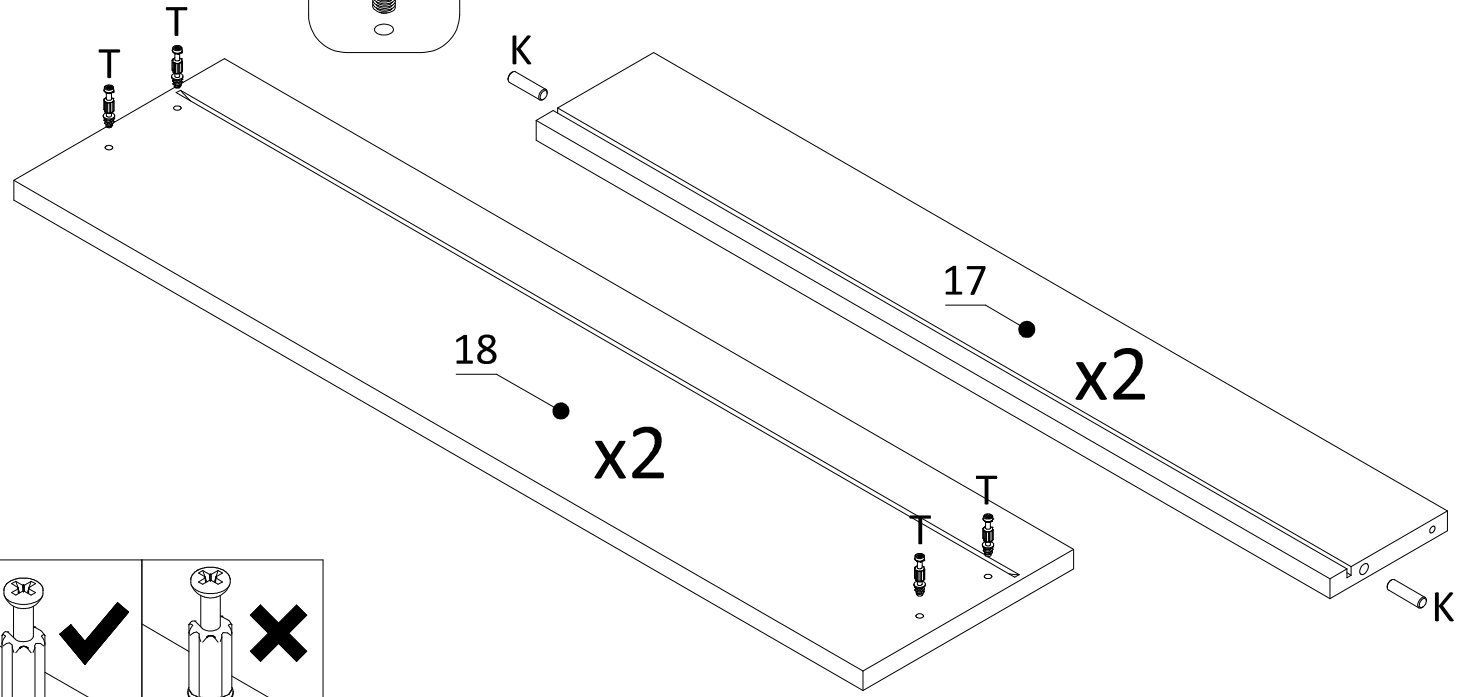
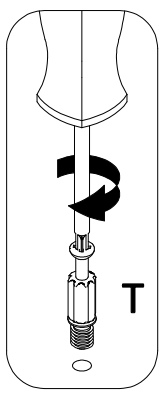
21

	
W2	PM
24x	24x

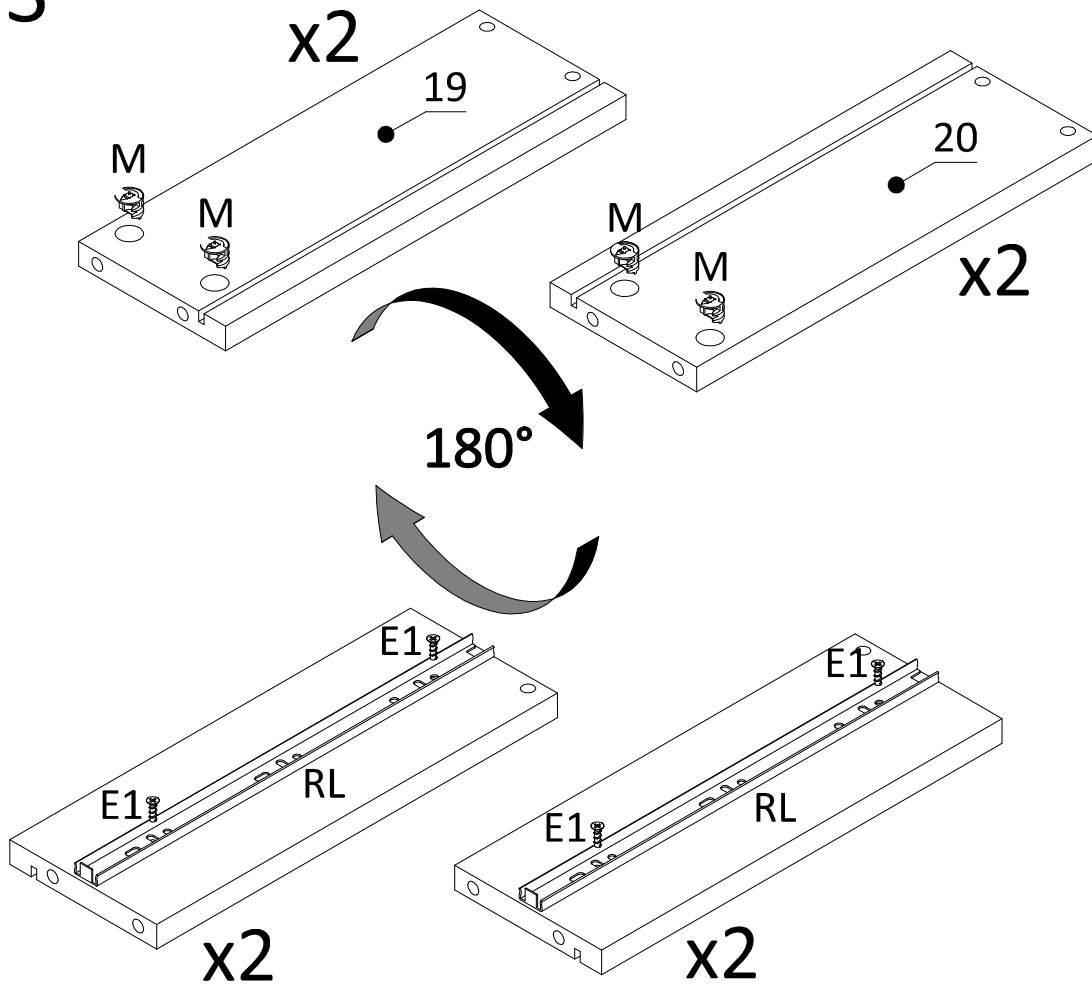




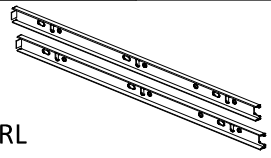
22

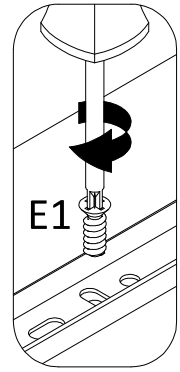
	
K	T
4x	8x



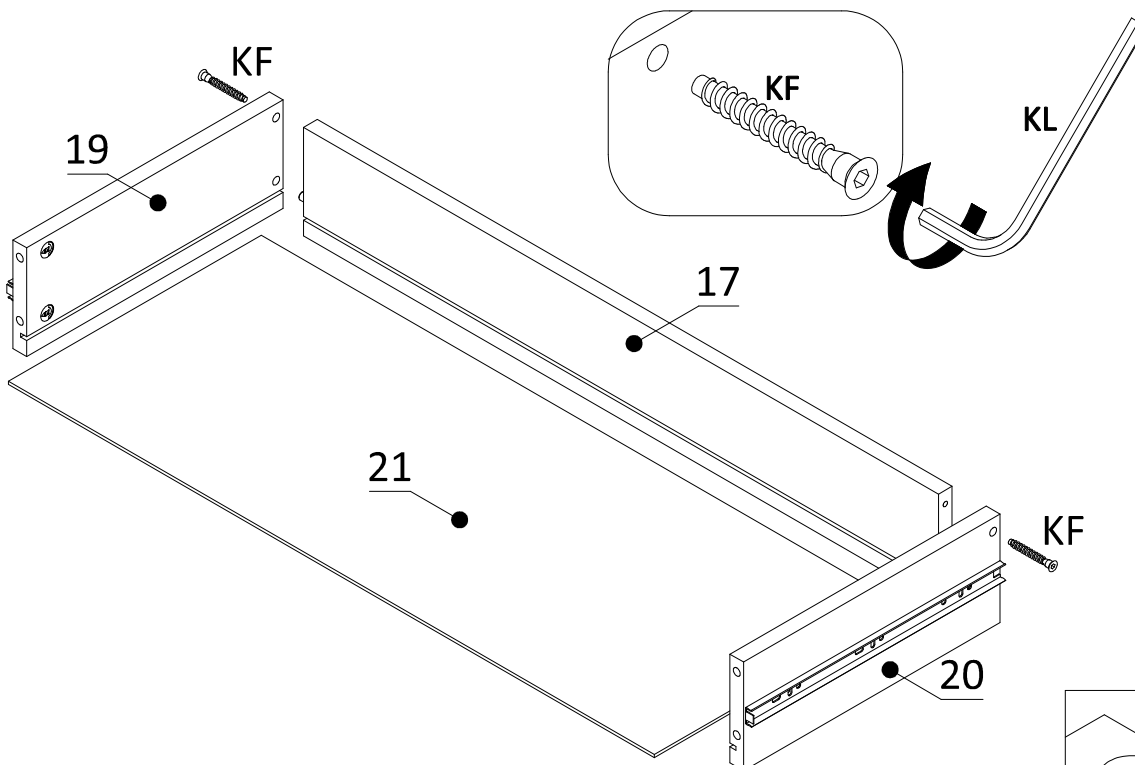
23


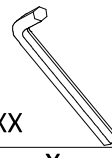


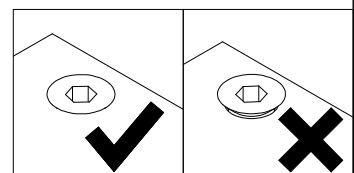
	
M	E1
8x	8x
	
RL	
2x	



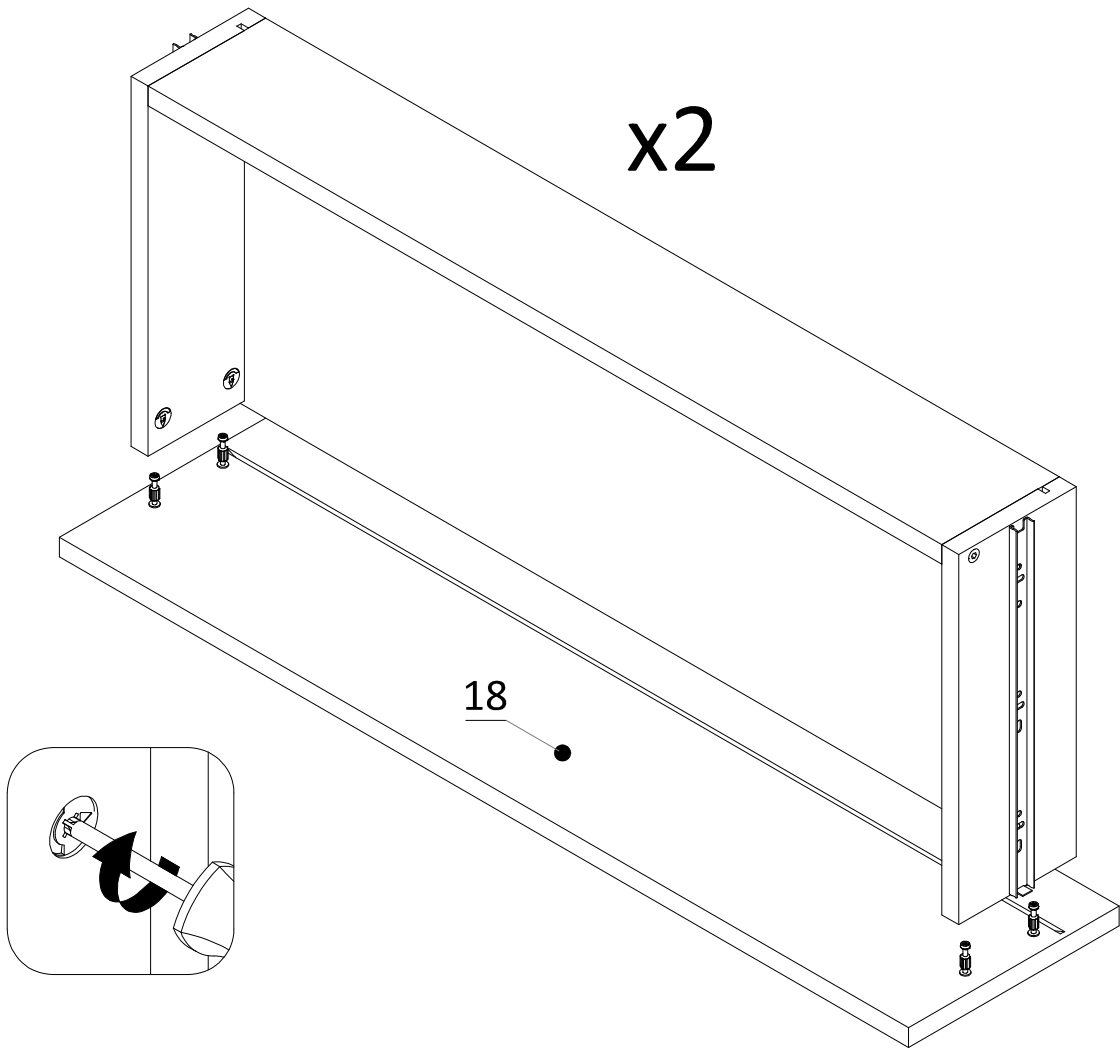
24



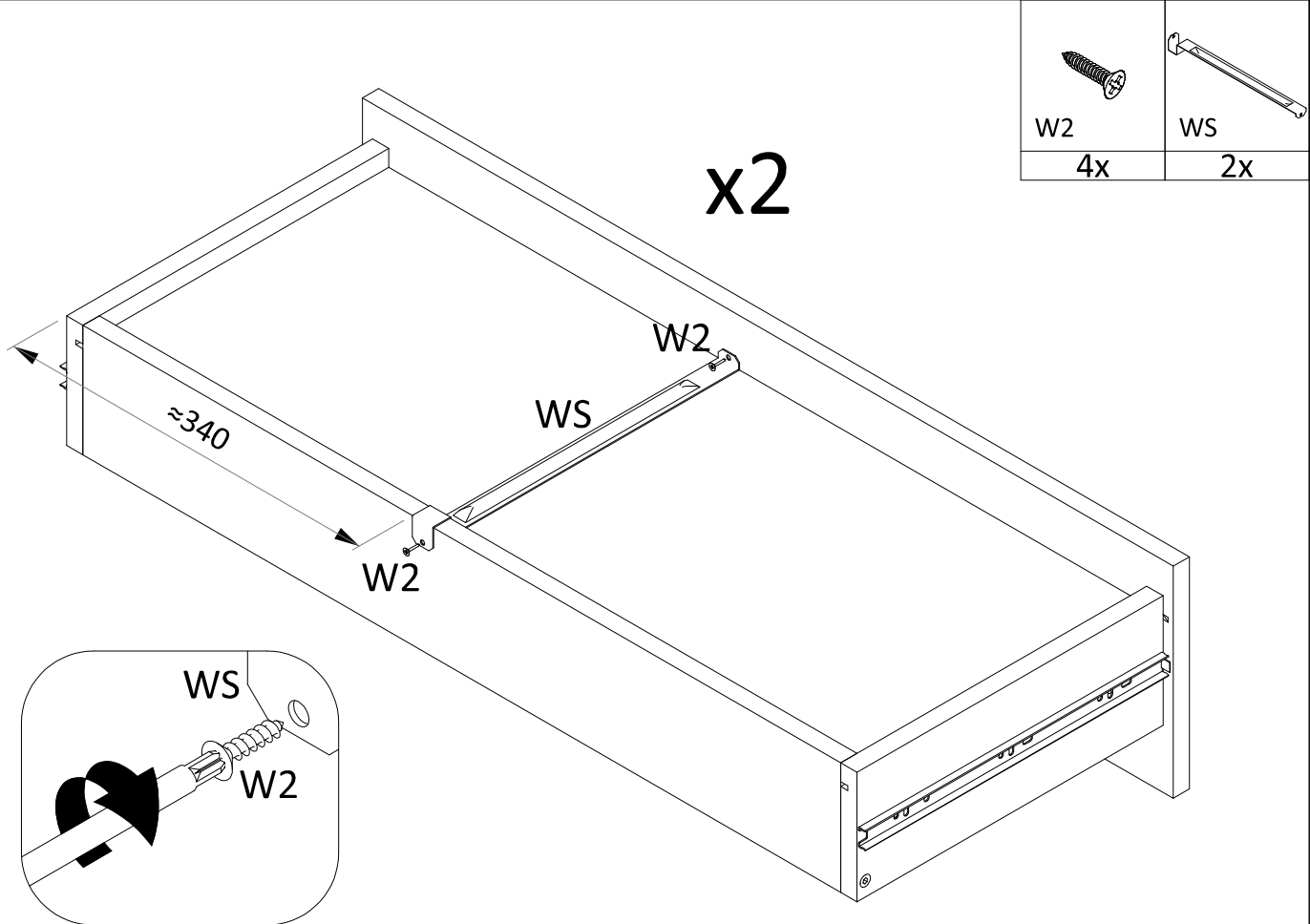
	
XX	XX
X	X



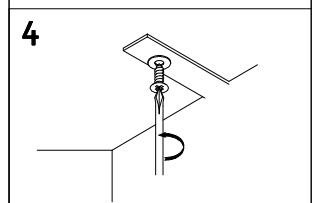
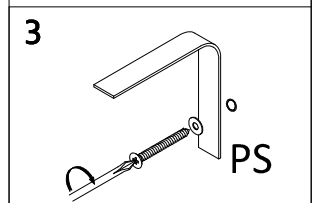
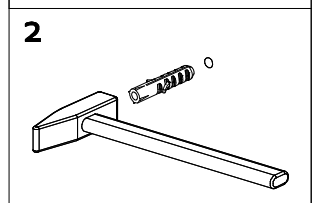
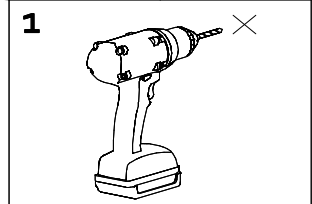
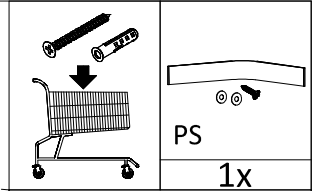
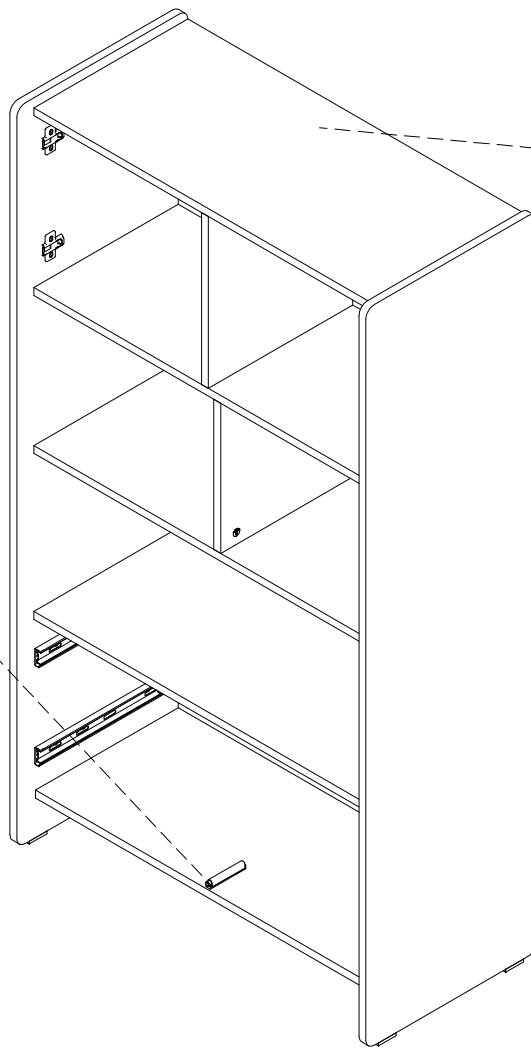
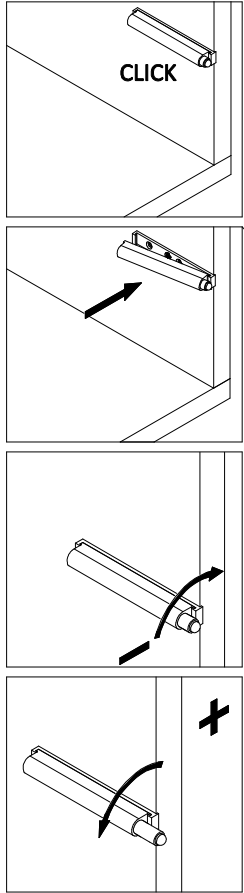
25



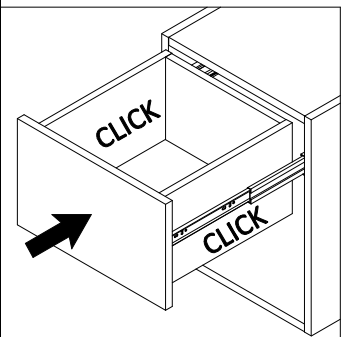
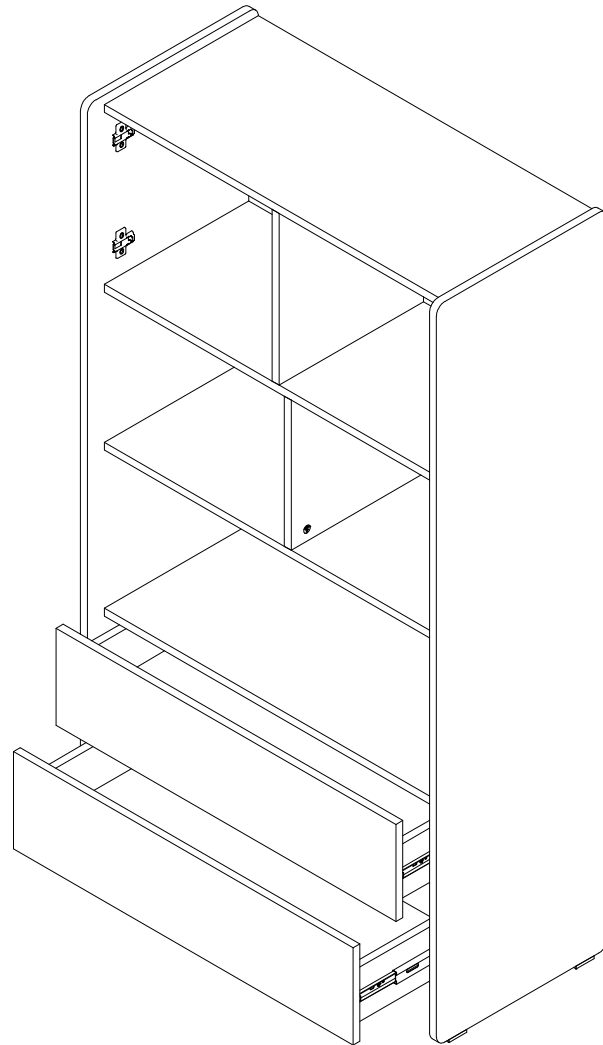
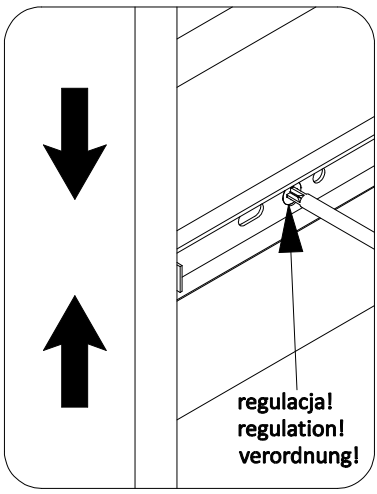
26

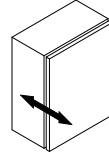
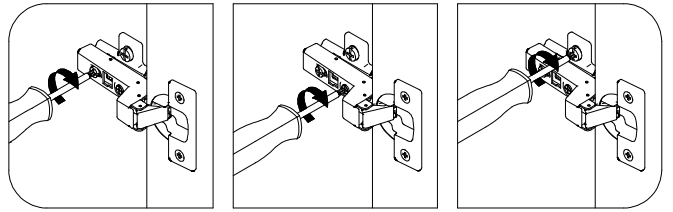


27

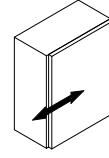


28

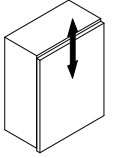




±2mm



±2mm



±2mm

